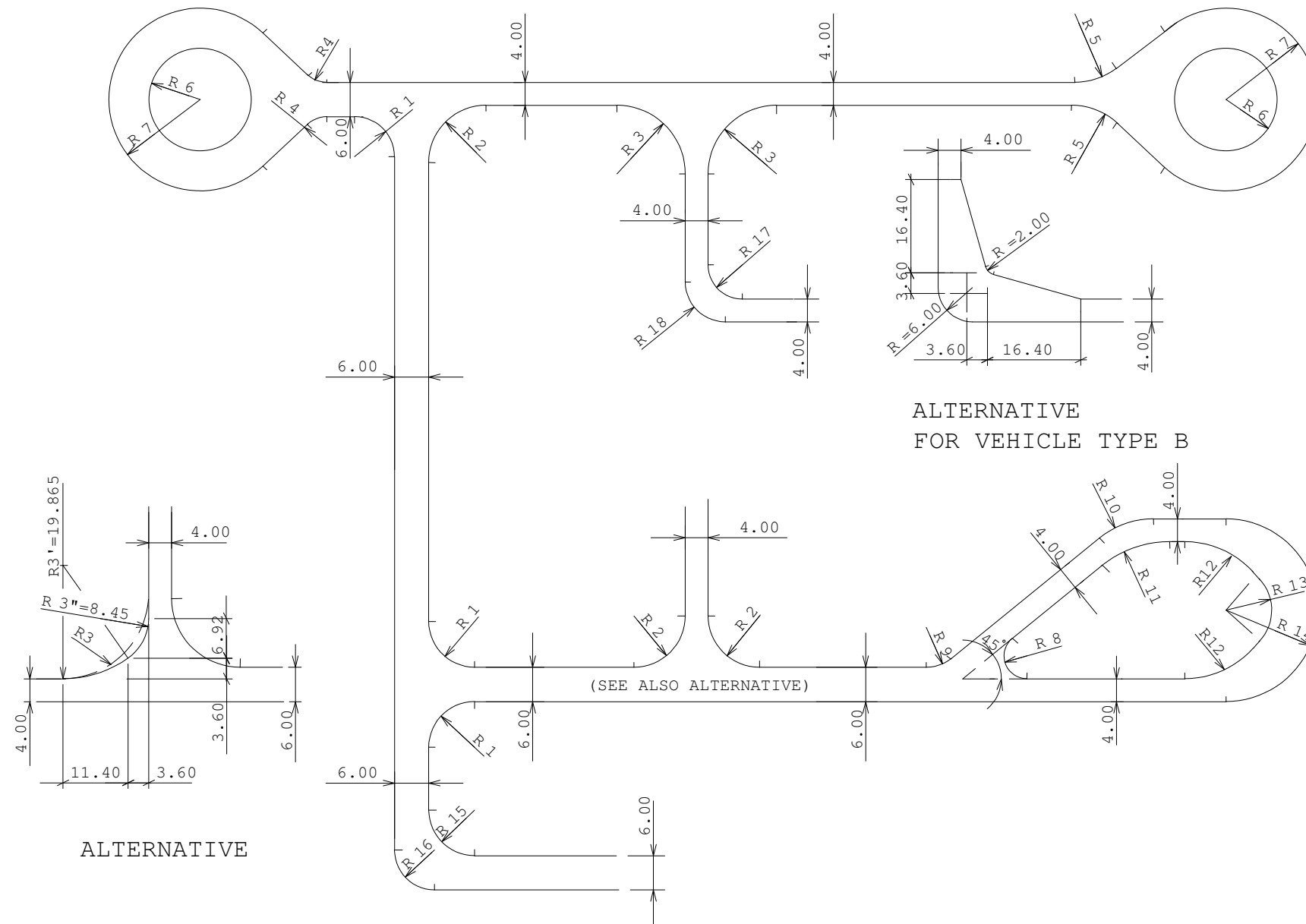


GENERAL NOTES

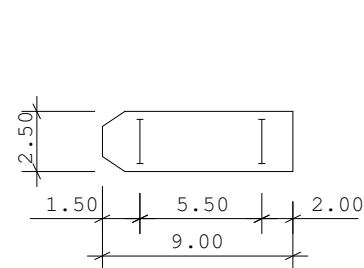
1. DIMENSIONS IN m.
2. SHOWN DIMENSIONS ARE MINIMUM
3. PLAN SHOWN FOR VEHICLE TYPE "B"
4. THE RADII AND DIMENSIONS OF THE TURNINGS ARE BASED ON ONE WAY TRAFFIC ONLY



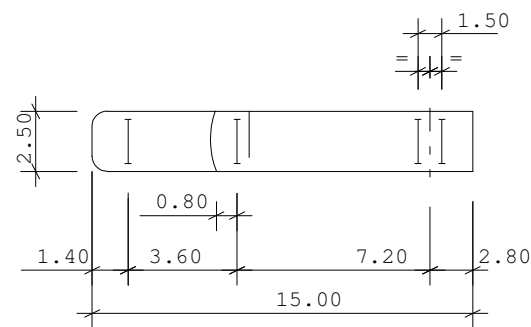
ALTERNATIVE FOR VEHICLE TYPE B

ALTERNATIVE

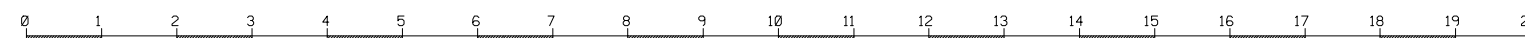
TYPE OF VEHICLE	R1	R2	R3	R4	R5	R6	R7	R8	R9	R10	R11	R12	R13	R14	R15	R16	R17	R18
A	4.00	5.00	7.00	6.00	6.00	9.00	13.00	3.00	6.00	13.00	9.00	9.00	9.00	13.00	4.00	9.00	6.00	7.00
B	7.00	10.00	15.00	7.00	14.00	9.00	16.00	3.00	7.00	20.00	24.00	19.24	9.00	16.00	9.00	6.00	-	-



VEHICLE TYPE A 1:200



VEHICLE TYPE B 1:200



Iss	Date	By	Description of issue	Ch'k'	App'd

RADII OF CURVES FOR PLANTROADS

This drawing is not to be used for construction or for ordering material unless dated and signed		Scale 1:200, 1:500	
Approvals			
Certified	Design	Eng'r	
Date			

DWG.NO. BN-DG-J1

Issue

A3