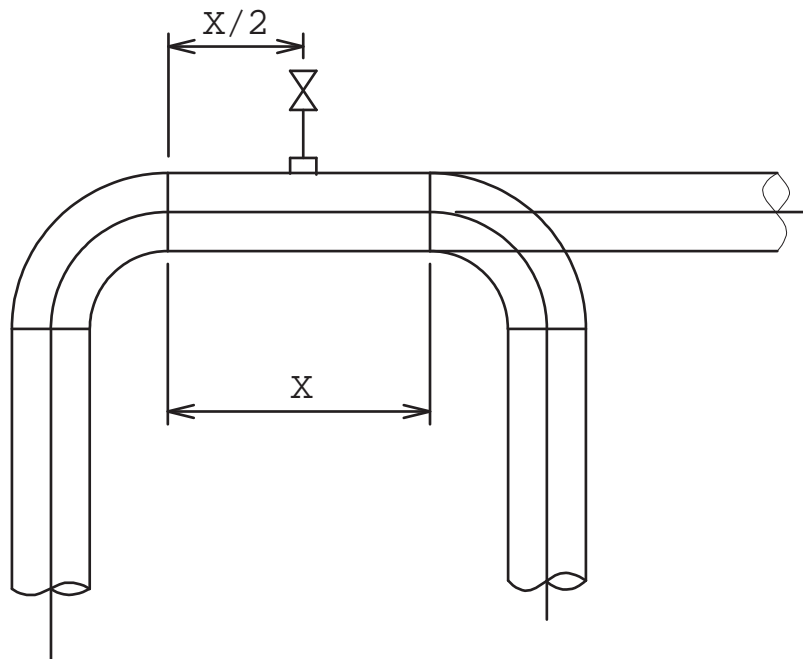


Line Attachments

The recommended dimensions for placing 'Line Attachments' i.e. Vents, Drains, P.I.'S, etc. on pipelines is detailed below.



Nominal Size of Line Attachment	Recommended Minimum Dimensions		
	<u>X in mm</u>	<u>X/2 in mm</u>	<u>X in Inches</u>
1/4"	150	75	6
1/2"	150	75	6
3/4"	150	75	6
1"	150	75	6
1 1/2"	170	85	7
2"	190	95	7 1/2
3"	220	110	9
4"	250	125	10
6"	310	155	12 1/2

ATTACHMENT "D"

ID. NO.

www.red-bag.com

ISSUE
1SHEET
1 of 1

DOC.NO.

BN-DG-C3